

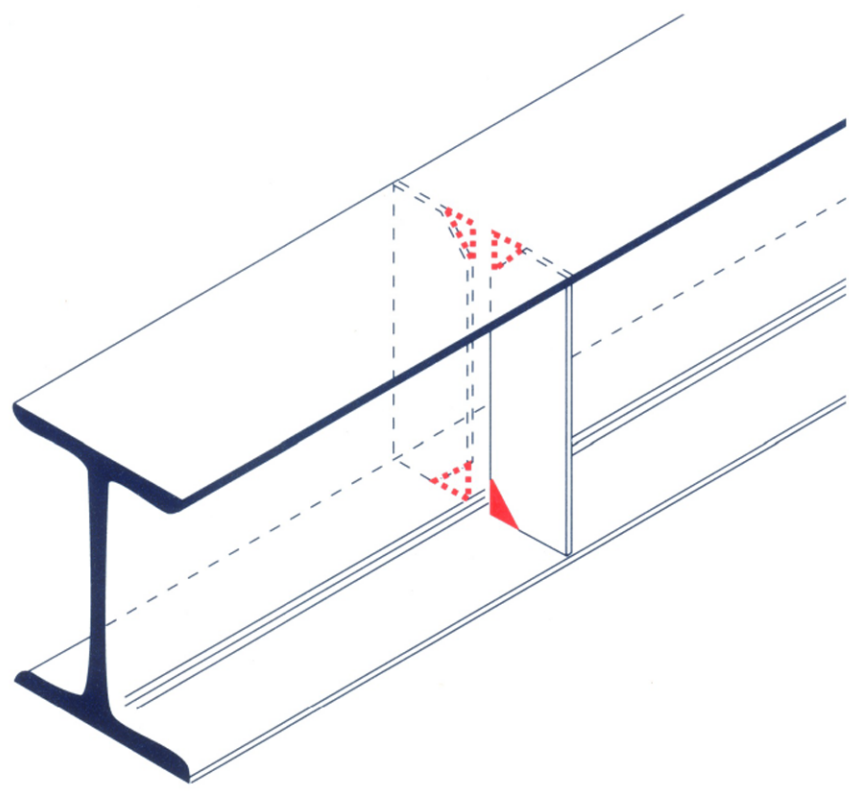


# COURT

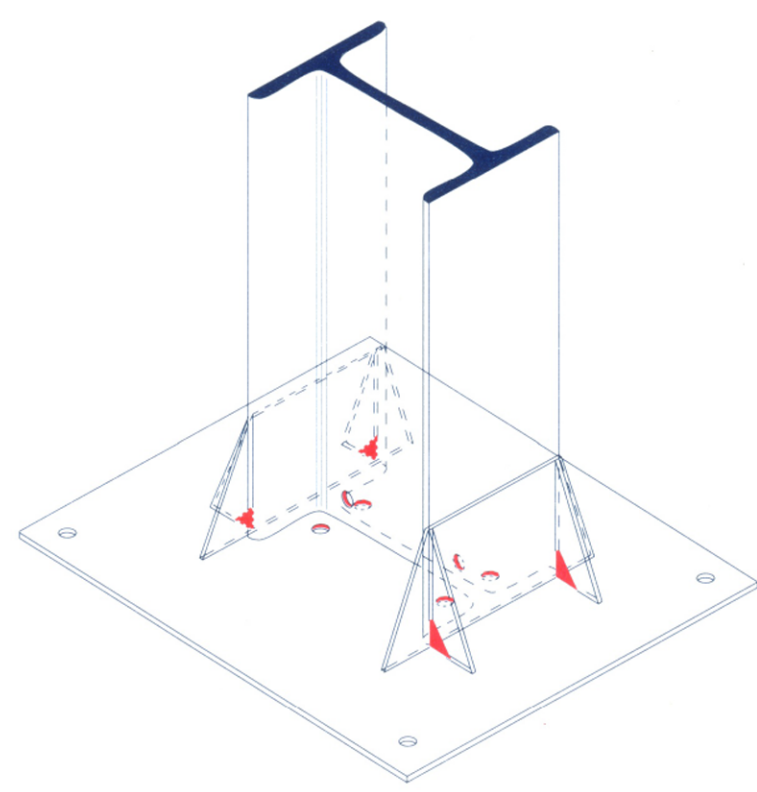
## GALVANIZING LTD.

*Rust Stops Here*

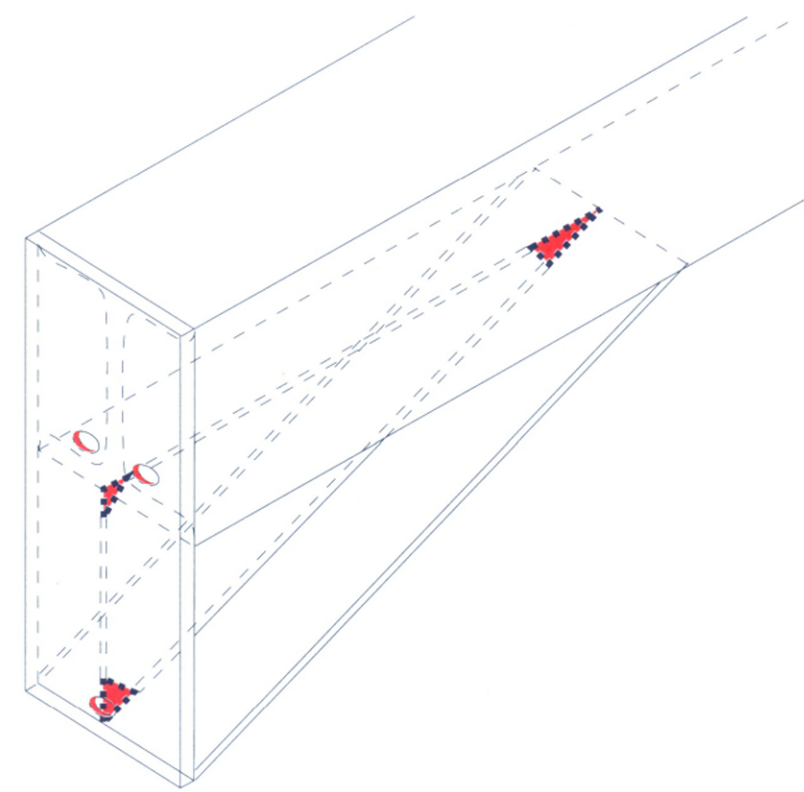
*Book a free design consultation with our experts!*



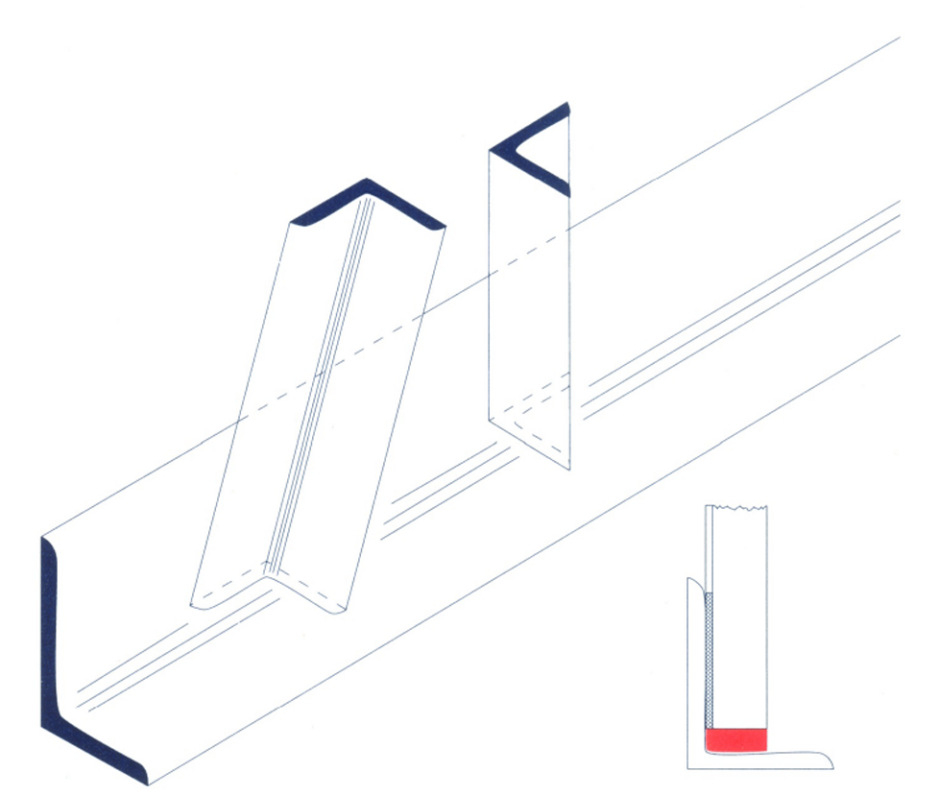
External stiffeners should have cropped corners to eliminate bare spots and buildups.



External stiffeners for beams and channels should have cropped corners and drainage holes.



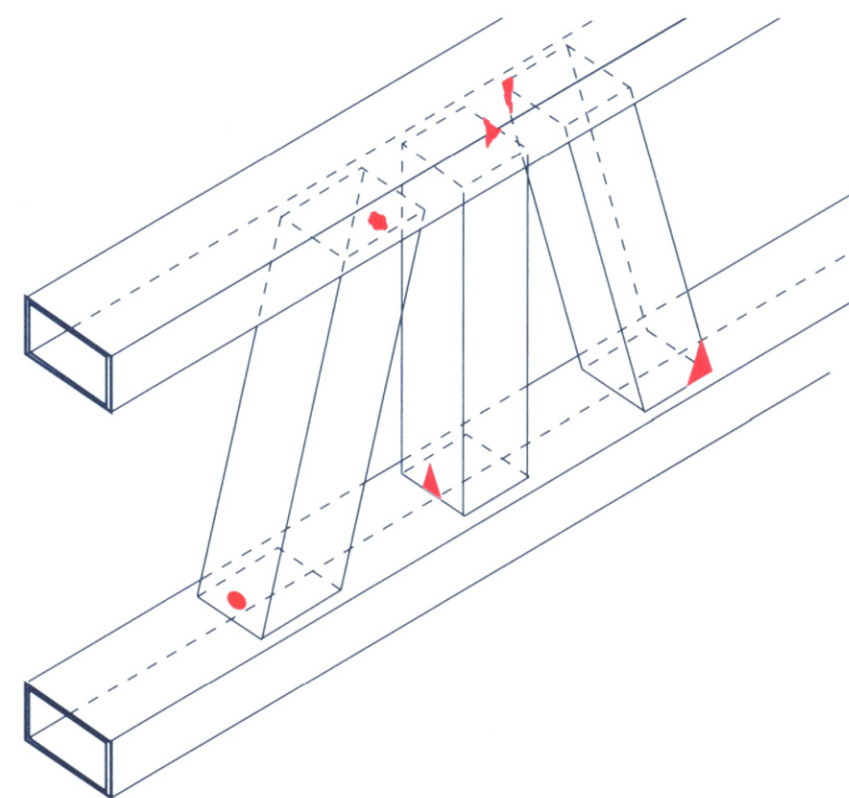
Holes and cropped corners in the locations indicated will lead to a cleaner coating with fewer dark spots, drips and runs. They are also essential for the safety of our operators.



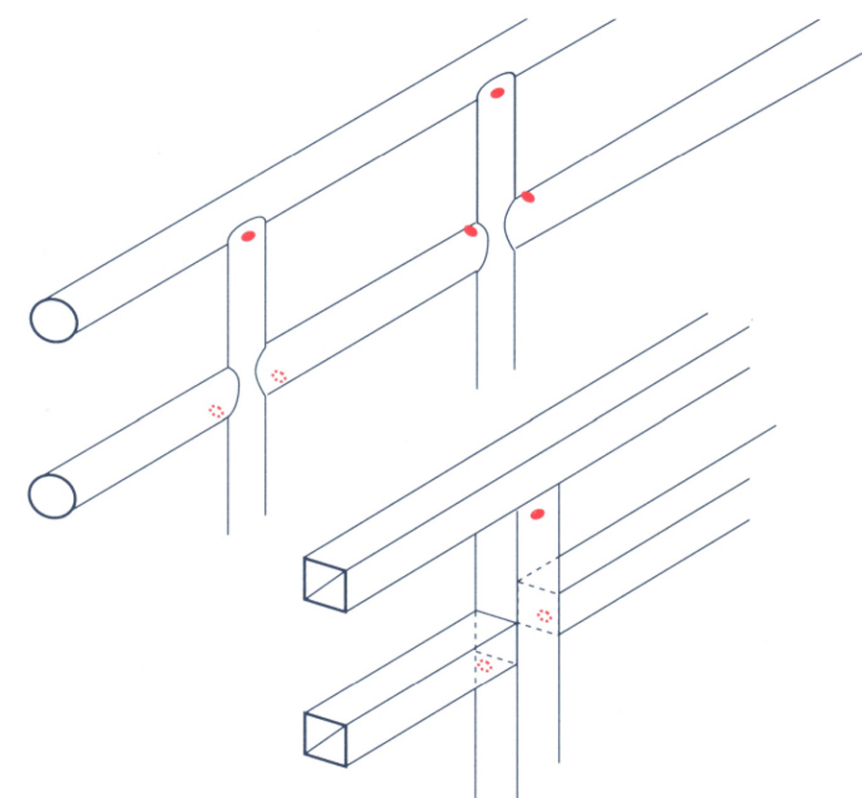
If possible, angle braces should stop short of the main boom flange to avoid buildups or bare spots in these areas.



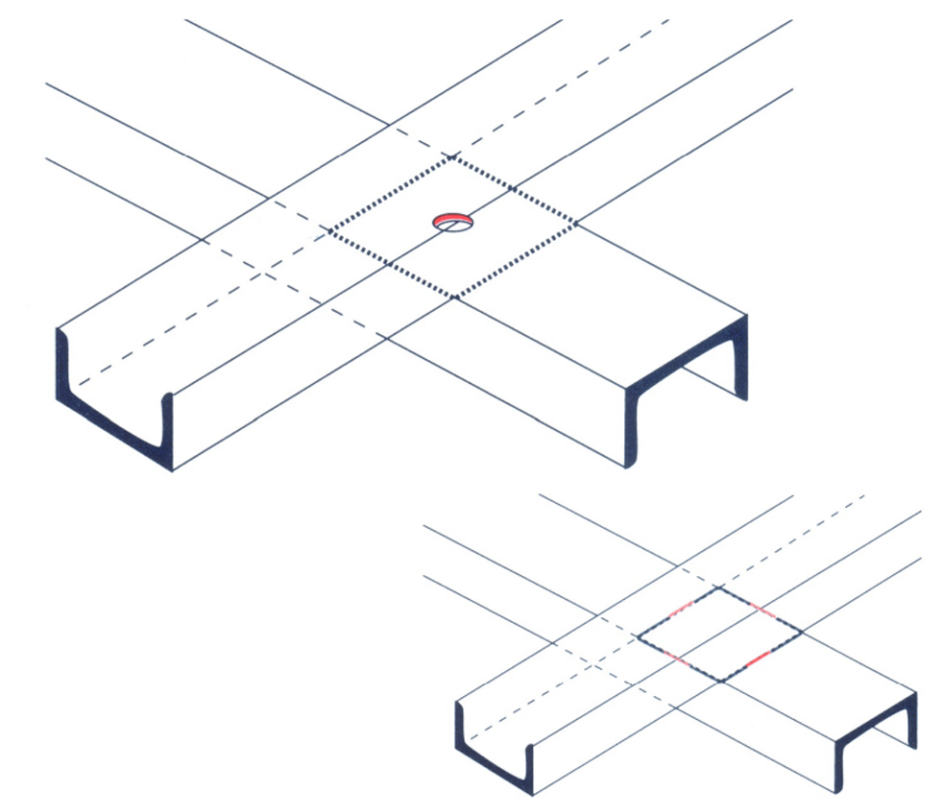
It is essential for the safety of the operators in our galvanizing plant that all fabricated products be adequately drilled for safe access, venting and drainage. The immersion of a sealed compartment into a galvanizing bath can cause explosions.



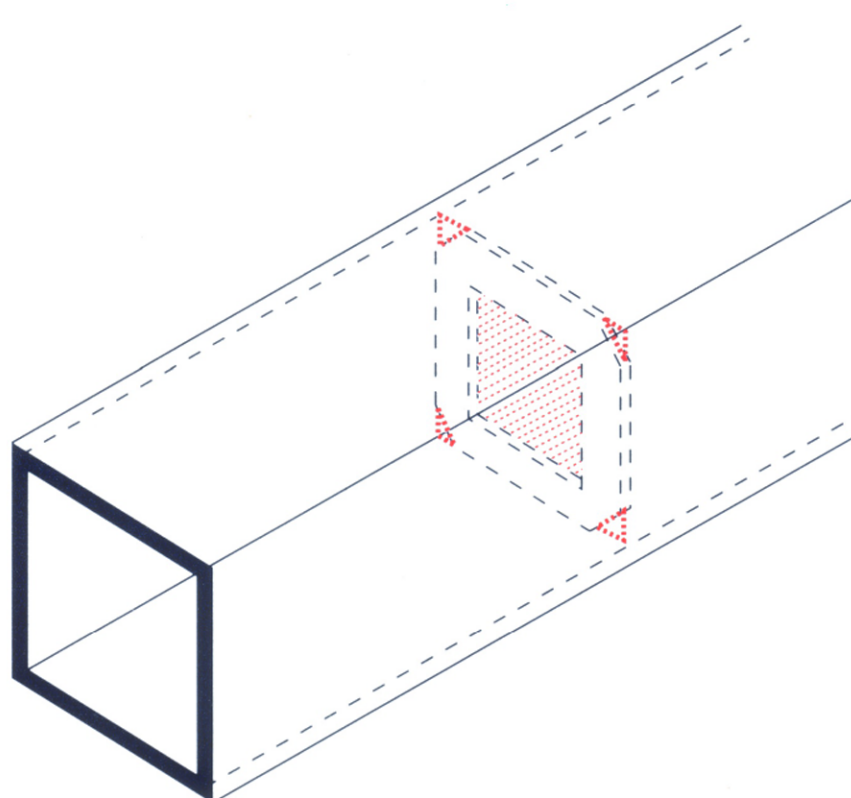
On all structural hollow sections, provisions must be made for venting and draining. On vertical members, drilled holes or V-shaped notches should be provided diagonally opposite one another at the top and bottom.



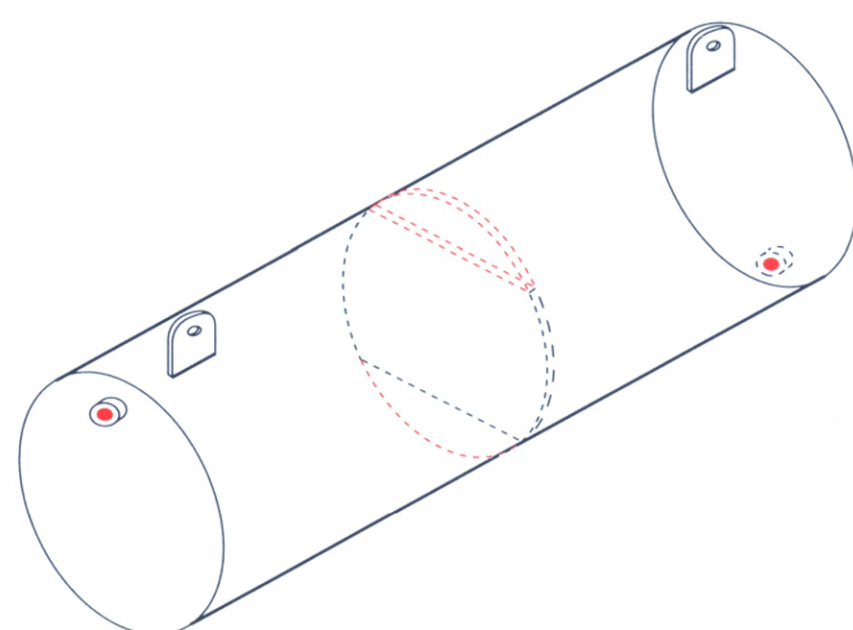
Every sealed section of a fabrication must be vented for safety and to allow for access and drainage of molten zinc. Diagonally opposite holes should be as close as possible to the sealed ends.



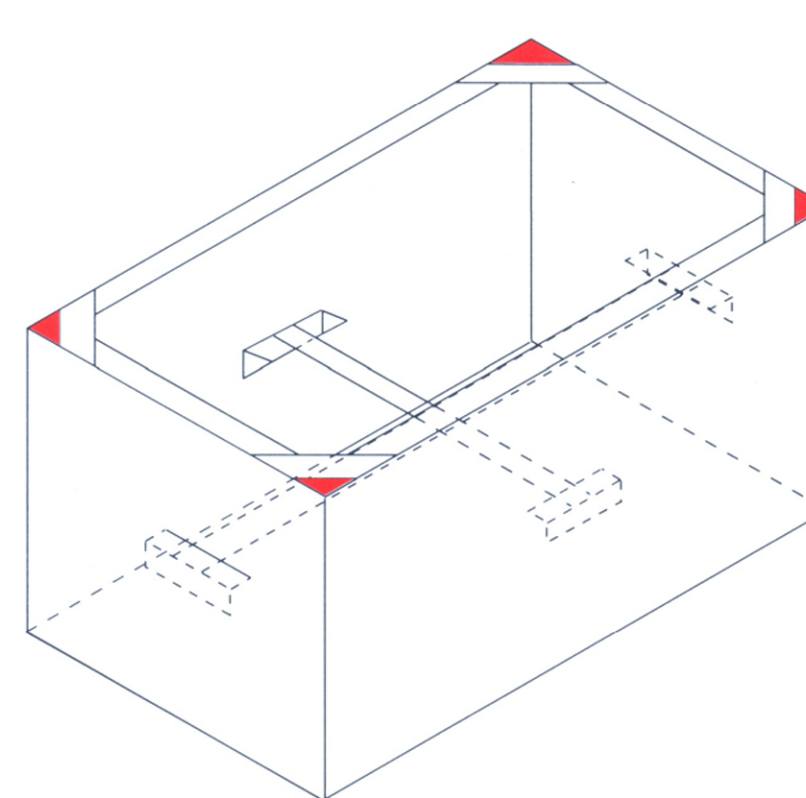
For overlapping surfaces in contact a hole or intermittent welding should be applied as indicated. These precautions are necessary to avoid explosions in the galvanizing bath and damage to the fabrication.



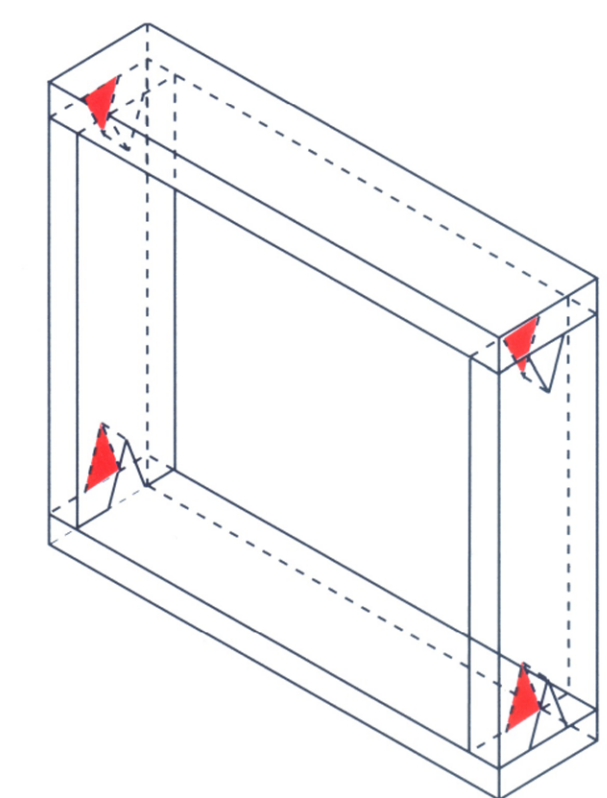
Internal diaphragms in large box sections should have cropped corners and a "manhole". Diaphragms on small box sections may require only cropped corners.



Vent holes should be diametrically opposite and at least 2 inches (50 mm) in diameter. Internal baffles should be cropped at the top and the bottom. Lifting lugs are also required as indicated.



Large open top tanks should be braced to minimize distortion. Where angle frames are used to rim the tank, openings must be provided in the frame corners. Venting holes will also be required on the bottom of the tank (top when hung).



Channels or HSS frames require holes or V-shaped notches for venting and draining.

Contact us for More Information

COURT GALVANIZING LTD.  
225 Thompson Drive, Cambridge

Office: 519 624 5544

Sales@courtgalvanizingltd.com

*Rust Stops Here*